

Building The VegTrug

Congratulations on your purchase of the VegTrug. Please go to www.VegTrug.Com for instructions and tips on what you can grow and how to get the best use from your VegTrug. You can also see a video of the VegTrug build on the website or on the VegTrug iPhone App.

1. The VegTrug is very simple to assemble. Start by creating the H of the legs by using the bolts, washers and nuts, placing them through the pre-drilled holes as shown in the picture. Gently tap the head of the bolt into the hole so that it fits snugly into the leg. At this stage, do not tighten up the bolts completely, but leave them loose so that there is some lateral movement in the vertical leg posts.
2. Stand the legs in a line on the ground and then place the 'spine' of the VegTrug through the centre of the H securing with the screws as indicated.
3. Next place the pre-formed side boards on the VegTrug as shown in the picture. You can ensure that they are the right way up because the pre-drilled holes are at the top of the posts. Line up the top edge of the side boards with the top of the VegTrug leg posts. This will ensure that there is a gap at the bottom between the boards and the spine. Secure the boards in place with the screws provided using the pre-drilled holes making sure that the VegTrug is standing square.
4. Offer up the V shaped end boards to the VegTrug. They should fit snugly and correctly lining up with the ends of the sideboards. At this stage, secure them with one screw in either side to hold them in place.
5. Offer up the top side boards of the VegTrug and ensure that they meet the V shaped end boards correctly showing a level, even finish to the top of the VegTrug all round. If the boards do not connect properly, stand at the end of the VegTrug with your feet inside the legs and move the H in or out so that all the boards meet and all the screw holes line up correctly.
6. Once it is all in place, secure all the boards using the screws provided as shown in the picture.
7. Remember to tighten up the leg bolts at the end of the process. There is no need to over-tighten them - just enough so that there is resistance and they will not come undone by hand.

Using The VegTrug

After you have put the VegTrug together, simply place the pre-formed liner into the VegTrug so that the top edge overlaps. Fold the liner back over the top edge of the VegTrug and then pull the draw string tight to tighten the liner and hold it in place whilst you fill the VegTrug with a suitable potting mix. Fill to within 2-4 cm of the top edge. Once the potting mix is in place, you can release the draw string and tuck the liner down to be level with the potting mix. It is a good idea to put the VegTrug in place before you fill it with potting mix!

Your VegTrug is now ready for planting. Go to www.VegTrug.Com or download the VegTrug iPhone App to see what you can grow!

The Large (2m) VegTrug will take around 420 Litres of potting mix and the Small (1m) VegTrug will take 210 Litres of potting mix and the Mini (75cm) will take around 160 Litres of potting mix.

Maintaining The VegTrug

The VegTrug is pre-treated with a water based vegetable safe preservative. The VegTrug will fade in colour when placed in direct sun-light and should be treated on an annual basis as a minimum. Ensure that you use a vegetable safe product on the VegTrug.

As a raw material, wood will naturally contract and expand due to the humidity, heat and seasons. Hairline cracks may appear to open or close accordingly. This movement in the material will be reduced and controlled with regular re-treatment of the product.

Replacement liners and VegTrug greenhouse frames and covers can be purchased from your local stockist.



A 12X55 4pcs

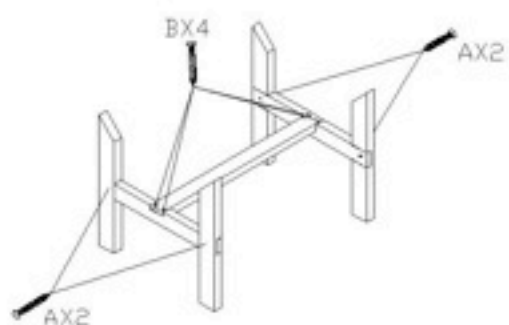


B 4X35 40pcs

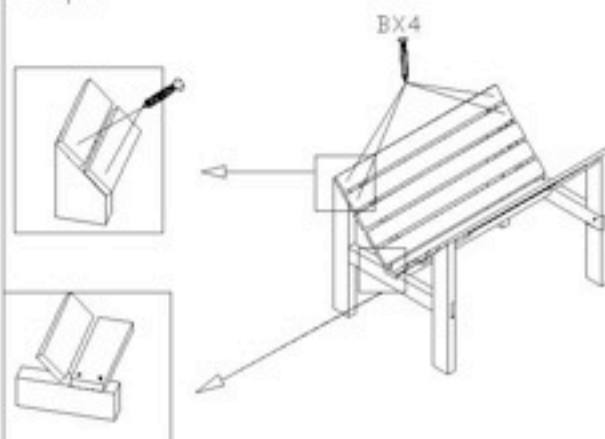


C 4X40 8pcs

Step1



Step2



Step3



Step4

