

English



Building The VegTrug Wall Hugger

Congratulations on your purchase of the VegTrug Wall Hugger. Please go to www.VegTrug.Com for instructions and tips on what you can grow and how to get the best use from your VegTrug. You can also see a video of the VegTrug build on the website or on the VegTrug iPhone App. We strongly recommend that you view the build video at www.vegtrug.com before you start.

1. Start by creating the H of the legs by using the bolts, washers and nuts, placing them through the pre-drilled holes as shown in the picture. Gently tap the head of the bolt into the hole so that it fits snugly into the leg. At this stage, do not tighten up the bolts completely, but leave them loose so that there is some lateral movement in the vertical leg posts.
2. Stand the legs in a line on the ground and then place the 'spine' of the VegTrug to the back edge of the H securing with the screws as indicated.
3. Next place the pre-formed side boards on the VegTrug as shown in the picture. Line up the top edge of the front sloping side board with the top of the VegTrug leg posts. Make sure the batons on this board are on the outside. The back board (vertical board) should sit snugly down with the batons (this time on the inside) resting on the spine board. Secure the boards in place with the screws provided using the pre-drilled holes making sure that the VegTrug is standing square.
4. Offer up the V shaped end boards to the VegTrug. They should fit snugly and correctly lining up with the ends of the sideboards. At this stage, secure them with one screw in either side to hold them in place.
5. Screw the top frame together as shown. Offer up the top frame and ensure that it meets the V shaped end boards correctly showing a level, even finish to the top of the VegTrug all round. Once it is all in place, secure all the boards using the screws provided as shown in the picture.
6. Remember to tighten up the leg bolts at the end of the process. There is no need to over-tighten them - just enough so that there is resistance and they will not come undone by hand.

Using The VegTrug

After you have put the VegTrug together, simply place the pre-formed liner into the VegTrug so that the top edge overlaps. Fold the liner back over the top edge of the VegTrug and then pull the draw string tight to tighten the liner and hold it in place whilst you fill the VegTrug with a suitable potting mix. Fill to within 2-4 cm of the top edge. Once the potting mix is in place, you can release the draw string and tuck the liner down to be level with the potting mix. It is a good idea to put the VegTrug in place before you fill it with potting mix!

Your VegTrug is now ready for planting. Go to www.VegTrug.Com or download the VegTrug iPhone App to see what you can grow!

The Medium (1.8m) VegTrug Wall Hugger will take around 310 Litres of potting mix and the Small (1m) VegTrug Wall Hugger will take 170 Litres of potting mix. Keep excess potting mix as you can use this to top up the VegTrug at a later date (it will bed down)

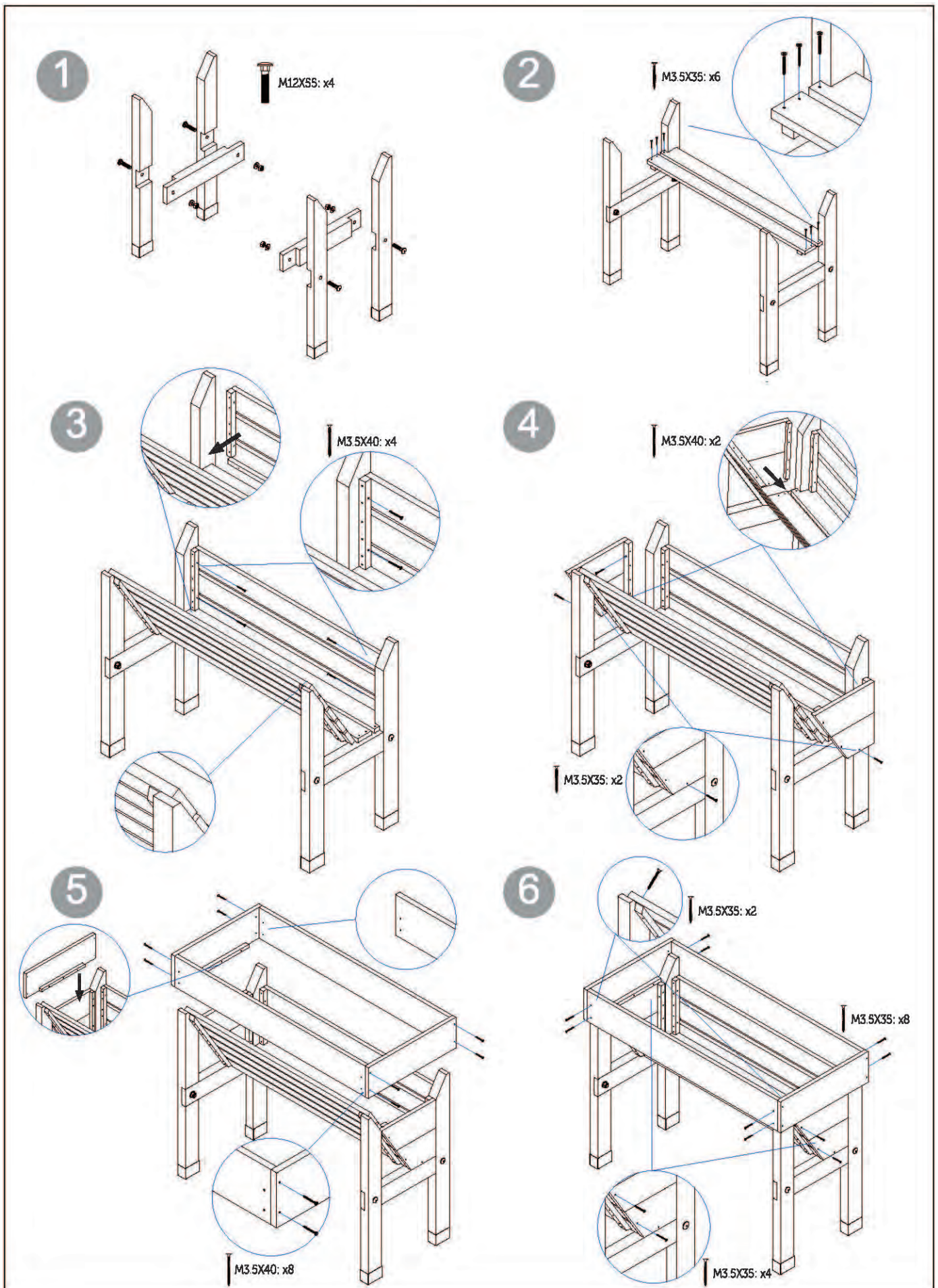
Maintaining The VegTrug

The VegTrug is pre-treated with a water based vegetable safe preservative. The VegTrug will fade in colour when placed in direct sun-light and should be treated on an annual basis as a minimum. Ensure that you use a vegetable safe product on the VegTrug.

As a raw material, wood will naturally contract and expand due to the humidity, heat and seasons. Hairline cracks may appear to open or close accordingly. This movement in the material will be reduced and controlled with regular re-treatment of the product.

Replacement liners and other VegTrug products can be purchased from your local stockist.

Wall Hugger Small



Wall Hugger Medium

